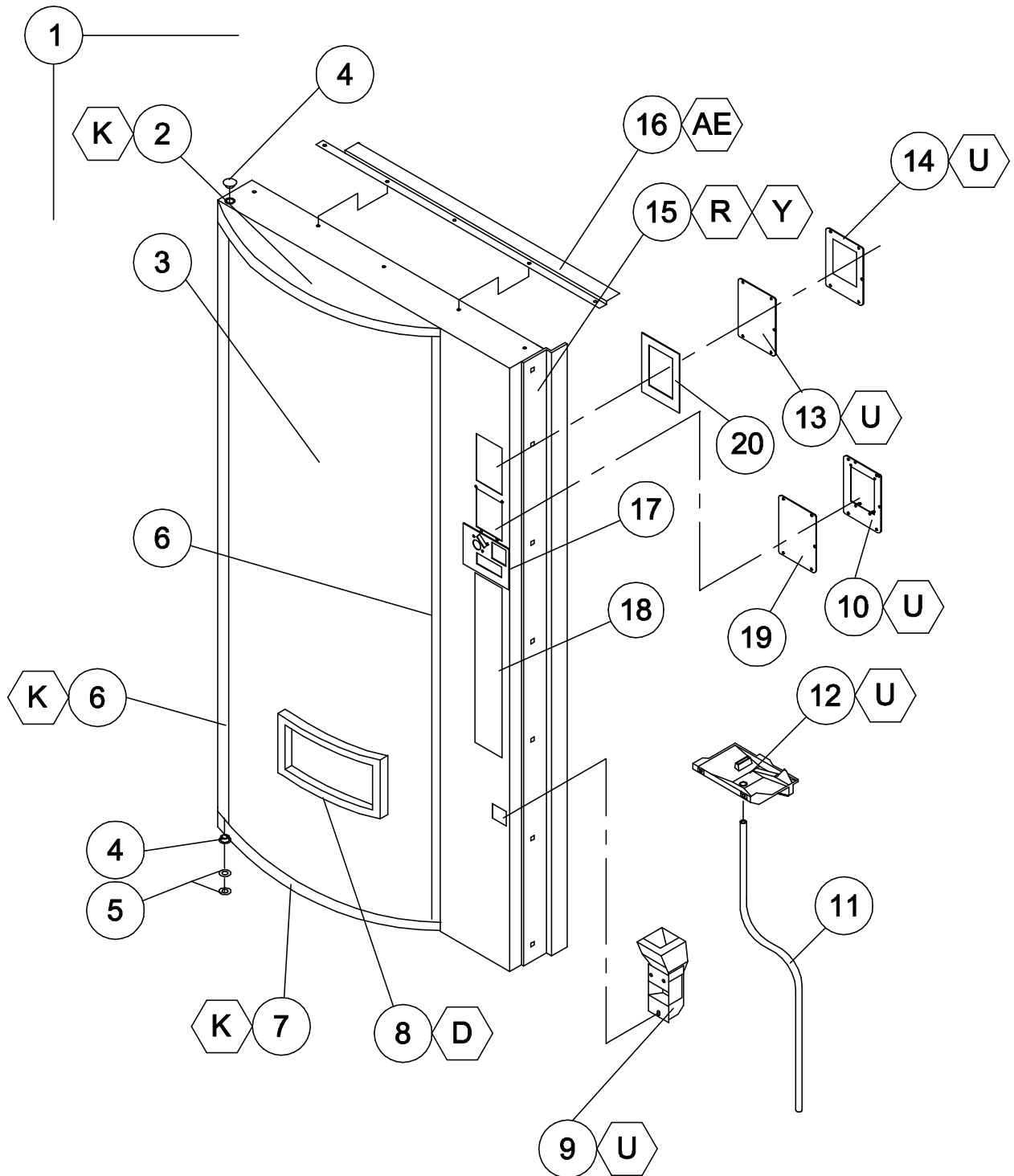




TRADE DOOR SECTION





V21 TRADE OUTER DOOR - CURVED

ITEM NO	MODEL NUMBER		721	821
	DESCRIPTION	QTY REQ	PART NO.	PART NO.
*1	OUTER DOOR ASSEMBLY	1	1112619-43	1112627-15
2	SIGN CAP - TOP	1	1014986	1014986
**3	SIGN FACE	1	**	**
4	BUSHING HINGE	2	388094	388094
5	FLAT WASHER 3/8" - BOTTOM	2	V801491	V801491
6	SIGN TRIM - LEFT AND RIGHT	2	388125-2B	388125B
7	SIGN CAP - BOTTOM	1	1068988	1068988
8	EYELET TRIM	1	388271	388271
9	COIN RETURN CUP	1	1079546	1079546
10	DBV PLUG PLATE	1	2000856	2000856
11	DRAIN TUBE	1	1110619	1110619
12	WATER COLLECTION PLATE	1	1110562	1110562
13	DBV PLUG PLATE - UPPER	1	1089597	1089597
14	DBV MOUNT PLATE - UPPER	1	1089619	1089619
15	DOOR GUARD	1	2010131	2009503
16	RAIN GUARD	1	2000848	2000848
17	LOCK ASSEMBLY (SEE PAGE TD-8 - TD-9)	1	~	~
18	SELECTION PANEL (SEE PAGE TD-10 - TD-11)	1	~	~
19	DBV GASKET - LOWER	1	1086759	1086759
20	DBV GASKET - UPPER	1	1120606	1120606

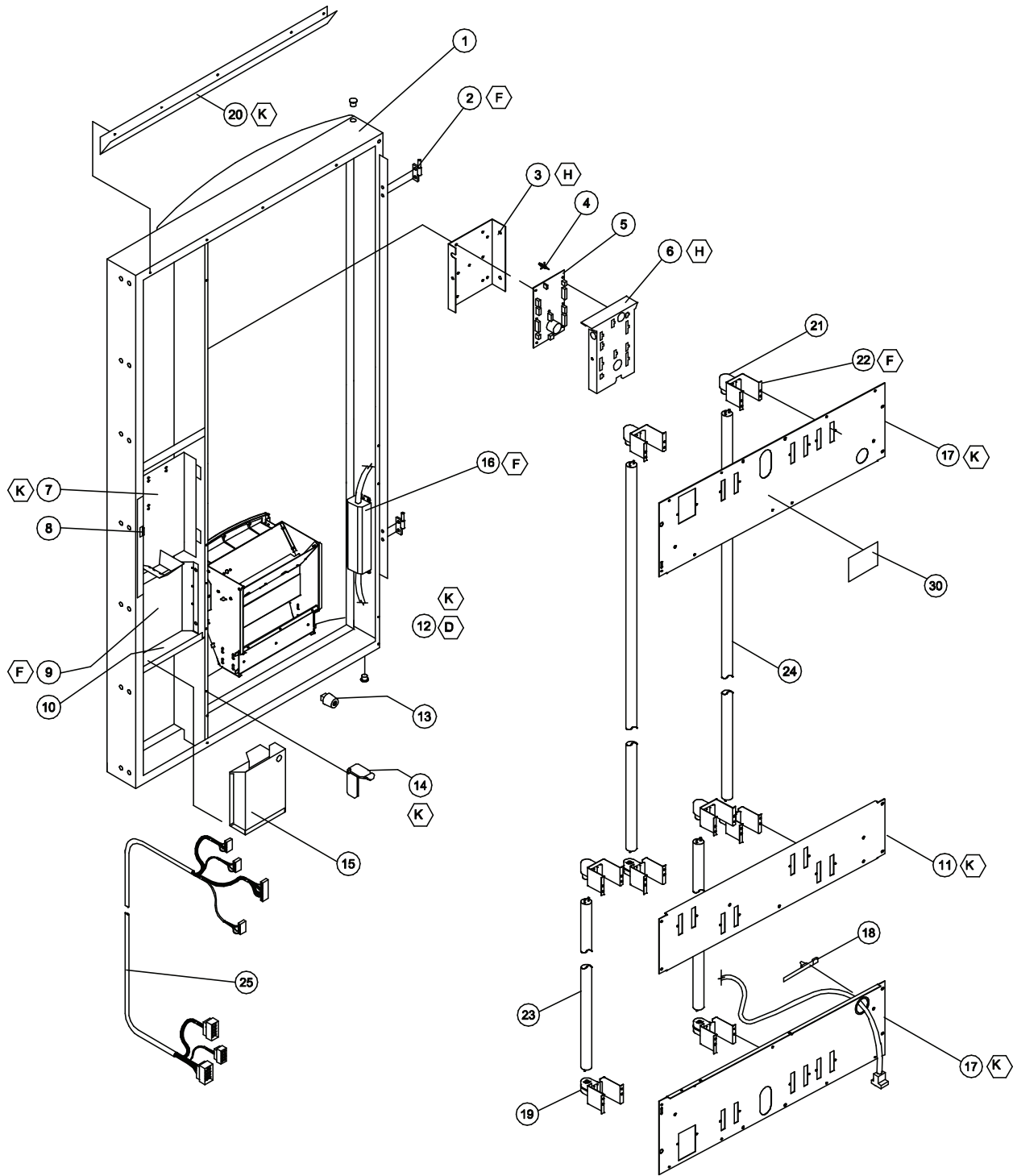
* NOTE: WHEN ORDERING OUTER DOOR ASSEMBLY, PLEASE PROVIDE **9-CODE** OR **11-CODE** AND **MANUFACTURER'S DATE CODE**.

NOTE: WHEN ORDERING SIGN FACE, PLEASE PROVIDE **FRANCHISE AND **STYLE**.



V21 TRADE OUTER DOOR - CURVED (CONTINUED)

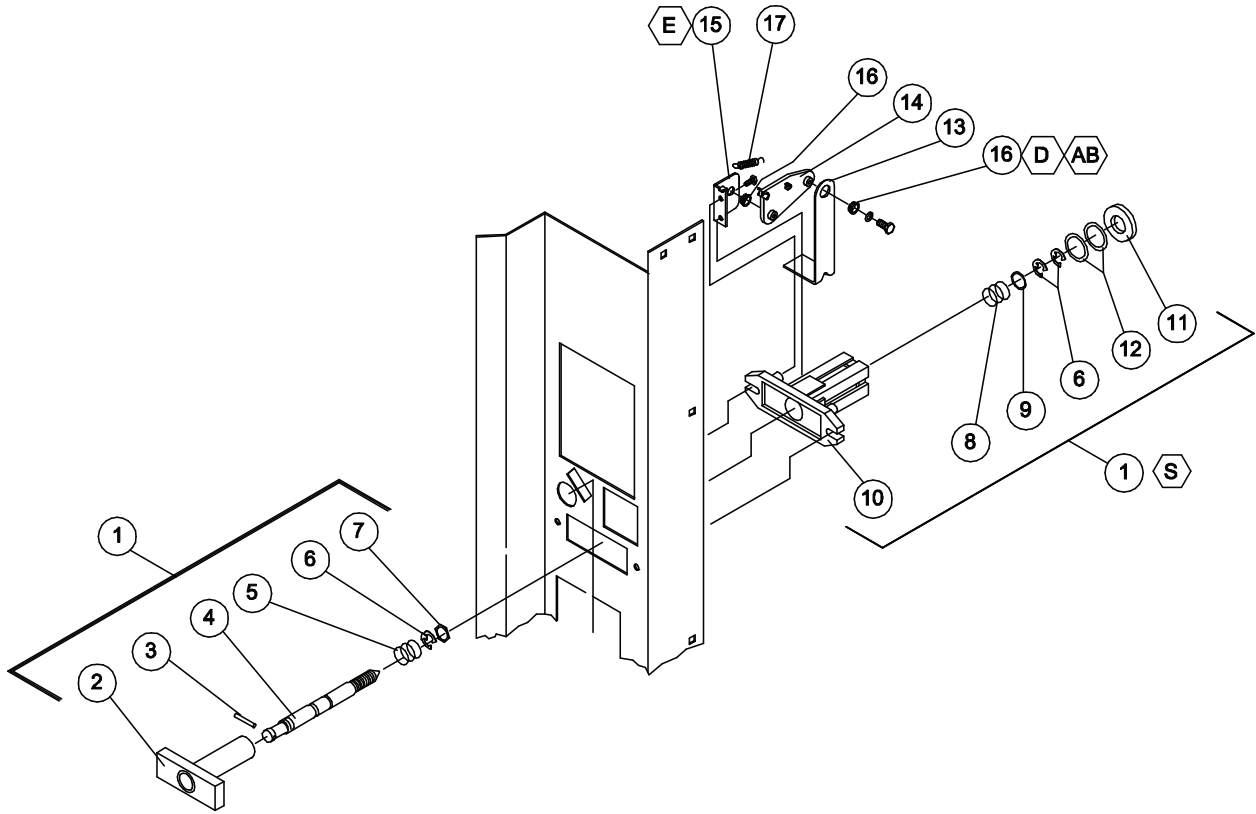
ITEM NO	MODEL NUMBER		721
	DESCRIPTION	QTY REQ	PART NO.
1	DOOR WELD - BLACK	1	1123712
2	HINGE - INNER DOOR, MALE	2	1121287
3	MOUNTING BRACKET - CONTROLLER	1	1077716
4	STAND OFF	7	1121740
5	PCBA VEC 12.1 CONTROLLER	1	1123051-12.1
6	COVER PANEL	1	1123049
7	COIN DOOR ASSEMBLY	1	1081112
8	LATCH - COINAGE DOOR	1	1085546
9	BARRIER PANEL	1	1117147
10	BULKHEAD COIN BOX SUPPORT	1	1112155
11	DELIVERY HOPPER ASSEMBLY	1	1124162
12	DOOR BUMPER	2	1036912
13	RAMP/CATCH - INNER DOOR	1	1121714
14	COIN BOX ASSEMBLY	1	133563
15	BALLAST 115V	1	1122380
16	SHEAR PANEL - LOWER/UPPER	2	1123915
17	HARNESS TIE	3	1045474
18	LAMP HOLDER - FIXED, MEDIUM BI-PIN	2	388531
19	RAIN GUTTER	1	1121204
20	LAMP HOLDER - PLUNGER, MEDIUM BI-PIN	2	388532
21	BRACKET - LAMPHOLDER	4	1122305
22	LAMP - FO40W T-8	2	1121733
23	DOOR HARNESS	1	1122905
24	RAIN CURTAIN, BALLAST (NOT PICTURED)	1	1121837
25	RAIN CURTAIN, LIGHTS (NOT PICTURED)	2	1121838-1
26	MDB HARNESS (NOT PICTURED)	1	1124570
27	LABEL, CAUTION, T-8 LAMPS ONLY	1	1122973





V21 TRADE OUTER DOOR - CURVED (CONTINUED)

ITEM NO	MODEL NUMBER		821
	DESCRIPTION	QTY REQ	PART NO.
1	DOOR WELD - BLACK	1	1123713
2	HINGE - INNER DOOR, MALE	2	1121287
3	MOUNTING BRACKET - CONTROLLER	1	1077716
4	STAND OFF	7	1121740
5	PCBA VEC 12.1 CONTROLLER	1	1123051-12.1
6	COVER PANEL	1	1123049
7	COIN DOOR ASSEMBLY	1	1081112
8	LATCH - COINAGE DOOR	1	1085546
9	BARRIER PANEL	1	1117147
10	BULKHEAD COIN BOX SUPPORT	1	1112155
11	SHEAR PANEL - MIDDLE, 4-BULB T-8	1	1122308
12	DELIVERY HOPPER ASSEMBLY	1	1123728
13	DOOR BUMPER	2	1036912
14	RAMP/CATCH - INNER DOOR	1	1121714
15	COIN BOX ASSEMBLY	1	133563
16	BALLAST 120V, 68-128W T-8	1	1122380
17	SHEAR PANEL - LOWER/UPPER, 4-BULB T-8	2	1122268
18	HARNESS TIE	3	1045474
19	LAMP HOLDER - FIXED, MEDIUM BI-PIN	4	388531
20	RAIN GUTTER	1	1121204
21	LAMP HOLDER - PLUNGER, MEDIUM BI-PIN	4	388532
22	BRACKET - LAMPHOLDER	8	1122305
23	LAMP - 17W T-8, 24"	2	1121173
24	LAMP - 32W T-8, 48"	2	1121173-2
25	DOOR HARNESS	1	1122905
26	RAIN CURTAIN, BALLAST (NOT PICTURED)	1	1121837
27	RAIN CURTAIN, LIGHTS (NOT PICTURED)	2	1121838-1
28	MDB HARNESS (NOT PICTURED)	1	1124570
29	LABEL, CAUTION, T-8 LAMPS ONLY	1	1122973





V21 TRADE LOCK ASSEMBLY

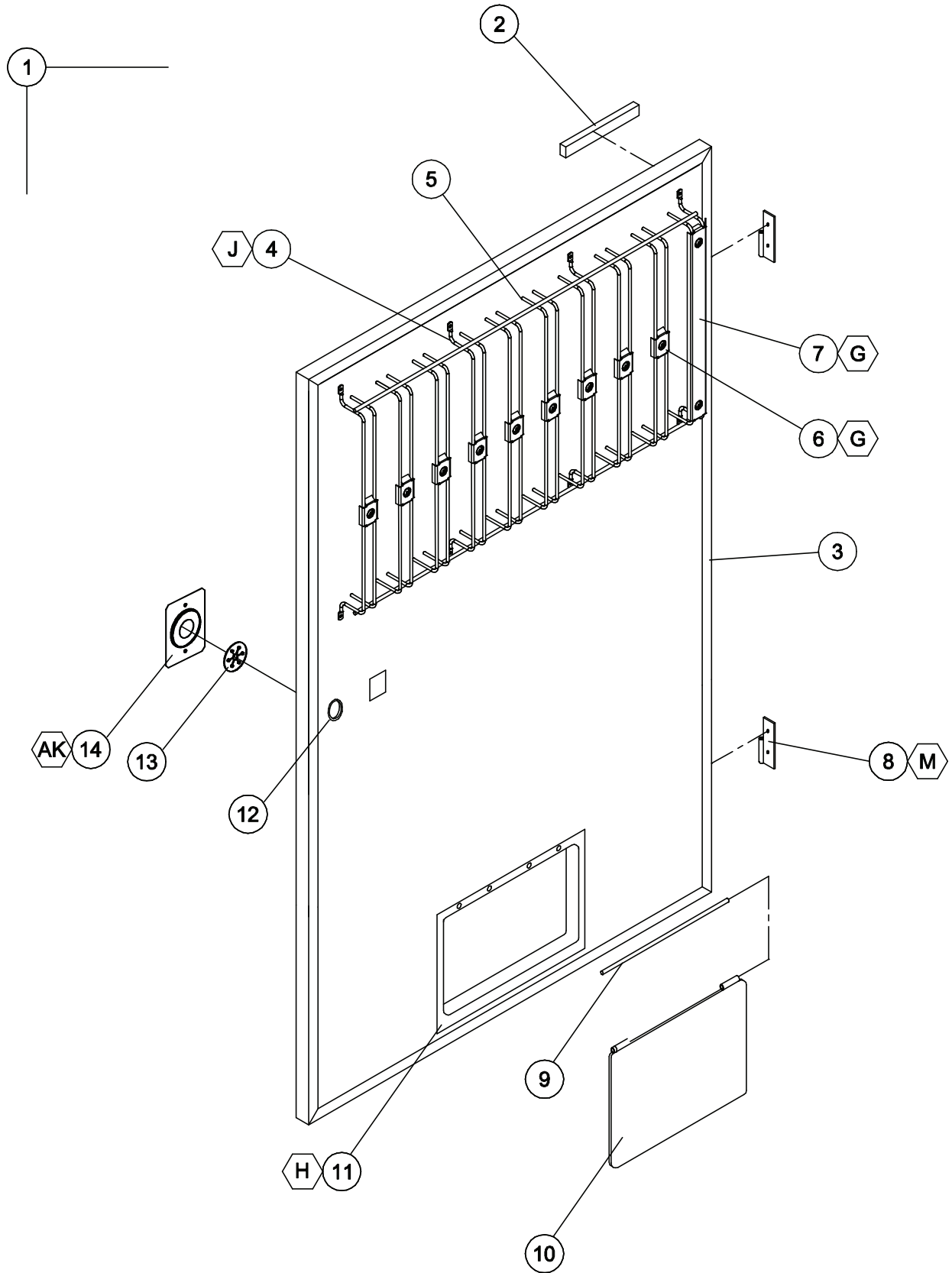
ITEM NO	DESCRIPTION	QTY REQ	PART NO.
1	LOCK ASSEMBLY - QUICKER LOCK	1	1002635
2	T-HANDLE	1	1002392
3	PIN - STUD	1	387601
4	LOCK STUD - QUICKER LOCK	1	1049724
5	SPRING	1	389691
6	E-RING RETAINER	3	388589
7	HEX WASHER	1	387600
8	SPRING - HEAVY	1	389691
9	FLAT WASHER	1	387718
10	FLANGE	1	1002384
11	VAPOR SEAL	1	388132
12	WASHER 1/2	2	V801023
13	LEVER - COIN RETURN	1	1052619
14	CRANK - COIN RETURN LEVER	1	1002244
15	PIVOT BRACKET - COIN RETURN	1	1002252
16	BUSHING	2	385603-4
17	SPRING - COIN RETURN LEVER	1	1060023



V21 TRADE SELECTION PANEL

ITEM NO	DESCRIPTION	QTY REQ	PART NO.
1	SELECTION PANEL ASSEMBLY - TRADE CURVE/FLAT (10 SELECT)	1	1011766-42
2	SELECTION WINDOW & BUTTON ASSEMBLY	10	1036203
3	SELECTION WINDOW ASSEMBLY	10	133431
4	SELECTION WINDOW	10	388223
5	SELECTION WINDOW - BACK	10	388116
6	SELECTION BUTTON	10	1116775
7	SELECTION SPRING	10	388858
8	BUTTON HOUSING	10	1006932
9	SELECTION SWITCH	10	368299
10	SOLD-OUT PLUG	10	1006975-1
11	SELECTION PANEL - 10 SELECT	1	2010158
12	SELECTION HARNESS - 10 SELECT	1	1111287
13	DISPLAY HARNESS	1	1111252
14	COIN RETURN BUTTON	1	1050473
15	COIN INSERT/RETURN GUIDE PLATE	1	1050481
16	DISPLAY LENS	1	1039652
17	DIGITAL DISPLAY PCB - ELECTRONIC	1	1089678
18	COIN CHUTE ASSEMBLY	1	1034154
19	COIN CHUTE	1	1002333
20	CHUTE COVER	1	1002341
21*	COIN INSERT PLATE	1	--
22	COIN INSERT SECURITY PLATE	1	2001481

* NOTE: WHEN ORDERING COIN INSERT PLATE, PLEASE SPECIFY **STYLE**.



TD-12

01/2003



V21 TRADE INNER DOOR

ITEM NO	MODEL NUMBER		721	821
	DESCRIPTION	QTY REQ	PART NO.	PART NO.
1	INNER DOOR ASSEMBLY	1	134302-103	134302-104
2	RAIN SEAL, INNER DOOR, 7"	1	1111732-2	1111732-2
3	INNER DOOR SEAL	1	1075678	1075678-1
4	UPPER PRODUCT RETAINER ASSEMBLY	1	1125206-1	1125206-2
5	UPPER PRODUCT RETAINER	1	1124285	1124285-1
6	SHORT CLIP ASSEMBLY	9	1125261	1125261
7	LONG CLIP ASSEMBLY	1	1125262	1125263
8	INNER DOOR HINGE, FEMALE	2	1121286	1121286
9	HINGE PIN	1	389985	389985
10	REVERSABLE VEND FLAP	1	1013076	1013076
11	INNER DOOR EYELET	1	387273	387273
12	GROMMET	1	388090	388090
13	INNER DOOR LATCH	1	1121711	1121711
14	INNER DOOR LATCH BRACKET	1	1121712	1121712

V21 TRADE INNER DOOR LABELS - NOT SHOWN

DESCRIPTION	QTY REQ	PART NO.
ERROR CODE LABEL, VEC 12.1	1	1123715
PROGRAMMING LABEL, VEC 12.1	1	1123343
WIRING DIAGRAM LABEL, VEC 12.1/12.2	1	1124295
PRODUCT SET UP, V21	1	1124035
SPACE TO SALES, VEC 12.1	1	1122286



NOTES